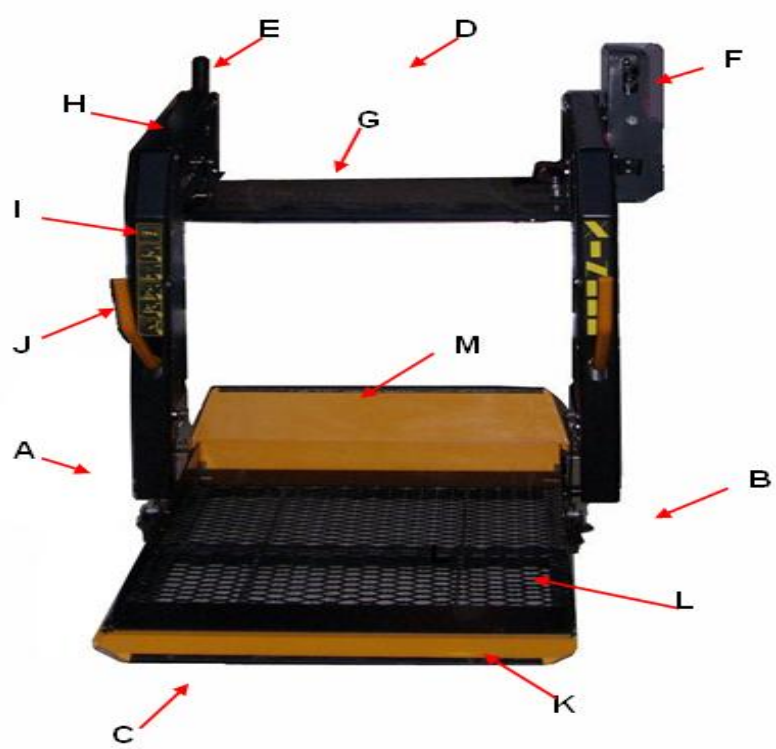


XINDER-TECH ELECTRONICS



WL-D SERIES





NO.	TERM
A	LEFT
B	RIGHT
C	FRONT
D	REAR
E	MANUAL BACKUP PUMP HANDLE
F	HYDRAULIC POWER UNIT
G	BASEPLATE ASSEMBLY
H	TOP AND BOTTOM AREMS (LEFT&RIGHT)
I	VERTICAL ARMS (LEFT&RIGHT)
J	HANDRAILS (LEFT&RIGHT)
K	FRONT ROLLSTOP
L	PLATFORM
M	REAR ROLLSTOP
N	CONTROL PEDAL

This wheelchair lift, with a unique “fold-in-half” design, provides an unobstructed view for the driver, helps eliminate hazardous blind spots, allows a clear view for the passengers, and is virtually unseen from outside. Moreover, because platform folds when stowed, no raised-roof modification for your personal vehicle is required-even when a long platform is necessary for larger wheelchairs and power scooters.



N

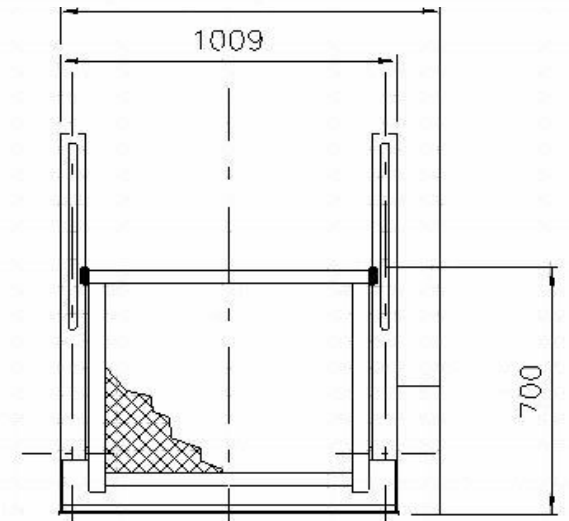
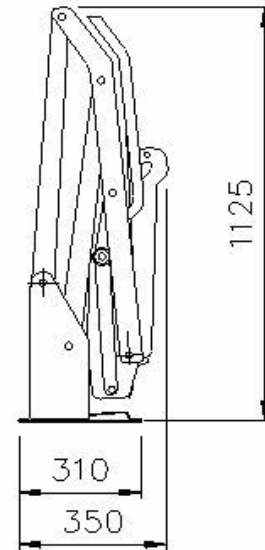
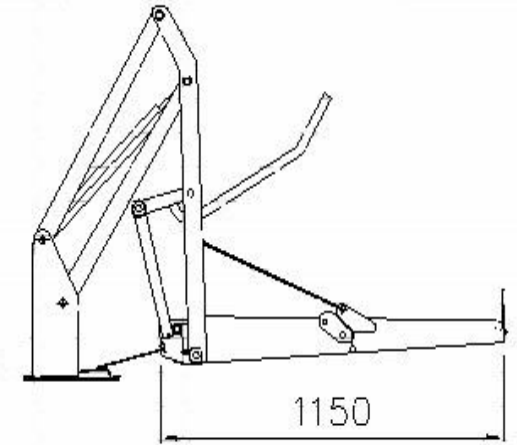
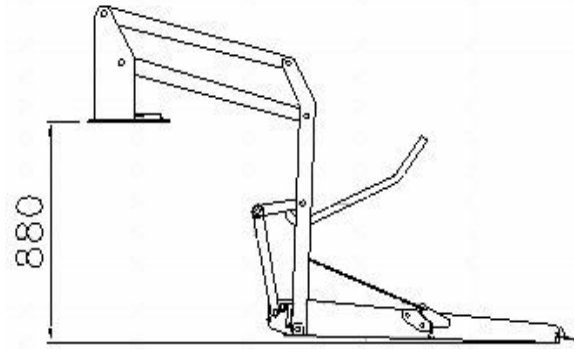


MANUAL BACKUP PUMP HANDLE



LIFT TECHNICAL SPECIFICATIONS

XINDER-TECH ELECTRONICS



PLATFORM DIMENSION: 1150*720mm

Lifting capacity: 320 kg	Lift weight: 110kg
Electric system: 12V DC or 24V DC	Max working pressure: 14 Map
Max lifting height: 880 mm	Construction: Steel structure
Operation: Hydraulic pump with two lifting cylinder	Auxiliary emergency backup hand pump



LIFT FEATURES

- ◆ Quiet and easy to maintain.
- ◆ added safety benefit of minimized blind spots
- ◆ unique folding platform accommodating longer platform scooters and wheelchair without requiring raised roof or door
- ◆ automatic inboard/outboard rollstops
- ◆ stable and compact when stowed
- ◆ powerful hydraulic pump
- ◆ built-in manual back-up system

